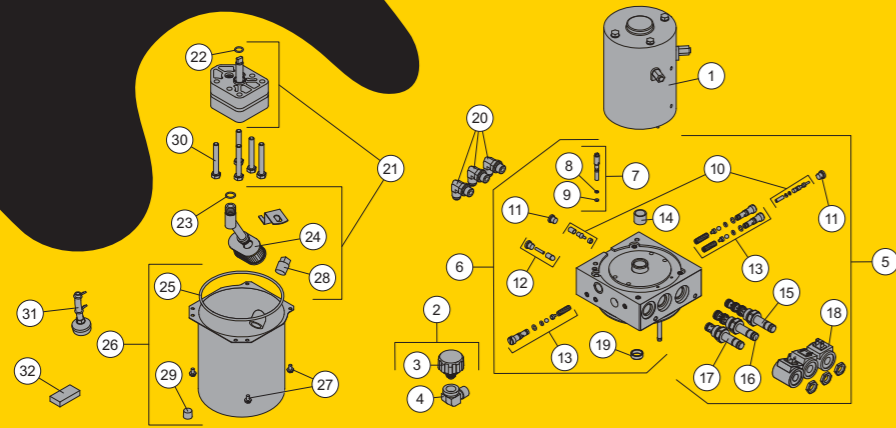


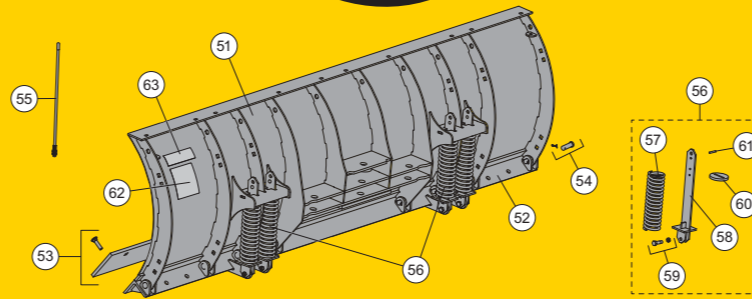
# HD<sub>2</sub> SNOWPLOWS



## HYDRAULIC UNIT

Item	Part	Description	Item	Part	Description
-	42291-1*	Hydraulic Unit Service Kit	18	7639K-2	Coil w/Spades
-	42293-1	Hydraulic Unit 2500 psi	19	66515*	Pump Shaft Seal
1	21500K-1	Motor, 4-1/2"	20	56725	Elbow, 90° -6 M JIC/-6 M ORB
2	22344K	Elbow, Street 90° w/Breather	21	21501K-1	Hydraulic Pump Kit
3	21727-2	Breather Pressure Control	22	56274	O-Ring -013
4	21726	Elbow, Street 90° 3/8 M NPTF/3/8 F NPTF	23	56416	O-Ring -014
5	42294-1	Valve Manifold Assembly	24	26781-3	Suction Filter
6	42292-1	Manifold Assembly	25	66519	O-Ring -2-250
7	56662	Quill Assembly	26	21830	Reservoir Kit
8	56315	Back-Up Ring -006	27	66607	10-24 x 5/16 Machine Screw Slotted Washer Head
9	25622	O-Ring -006	28	92079	Plug, Square 3/8 NPTF
10	7630K	Poppet Check Valve Kit	29	92095	Plug, Hex Socket 1/4 NPTF w/Thread Sealant
11	92960	Plug, Hex Socket -3 M ORB	30	90073	5/16-18 x 2-1/4 Hex Cap Screw
12	56507	Bypass Check Valve Kit	31	66405	Return Screen Assembly
13	7629K-3	Relief Valve Kit (set of 2)	32	73897	Magnet
14	64596-1*	Sleeve Bearing and Shaft Seal Kit	<b>O-Ring Service Kits</b>		
15	7637K-1	Cartridge Valve, 4-Way w/Nut	ns	7632K-4	O-Ring & Back-Up Ring Kit
16	66608K-1	Cartridge Valve, 3-Way w/Nut	ns	49258-2	Seal Kit, 2-Way Valve
17	7634K-2	Valve, 2-Way w/Nut	ns	49259-2	Seal Kit, 3-Way & 4-Way Valve

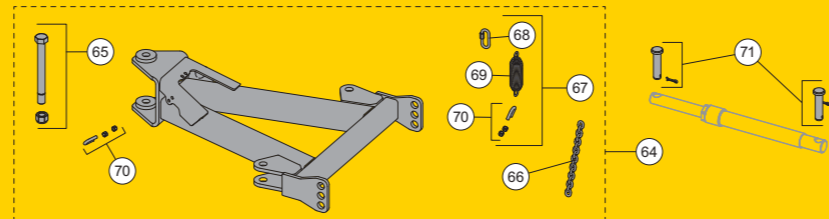
\* Includes 42293-1 hydraulic unit and plow-side electrical components (shown separately). Not used for central hydraulics.  
 † Use 64589 tool for bearing sleeve replacement (includes 1 seal). ‡ Use 28856 tool for pump shaft seal replacement (includes 1 seal).  
 ns = not shown F = Female M = Male



## BLADE ASSEMBLY

Item	Description	Part				Item	Description	Part			
		7-1/2'	8'	8-1/2'	9'			7-1/2'	8'	8-1/2'	9'
51	HD2™ Blade Assembly	90750	90800	90850	90900	ns	3/8" Steel Cutting Edge	5532	-	-	-
52	Base Angle	52511	52512	52513	52514	53	1/2" Steel Cutting Edge	-	5533	26460	5534
Item	Part	Description	Item	Part	Description						
54	84844	3/4 x 2-3/16 Machine Pin w/Cotter	60	20191	Removable Spring Disc						
55	7906K	Blade Guide (set of 2)	61	20181	1/4 x 1-1/4 Pin						
56	26464	Removable Spring Assembly	62	59900	Label - Warning/Caution, Snowplows						
57	27406	Trip Spring	63	26211	Label - STORM GUARD™						
58	20757	Removable Spring Bar	ns	20238	Label - FISHER® Logo (front of blade)						
59	40905	Shoulder Bolt w/Locknut	ns	43893	Label, Identity - HD2 (front of blade)						

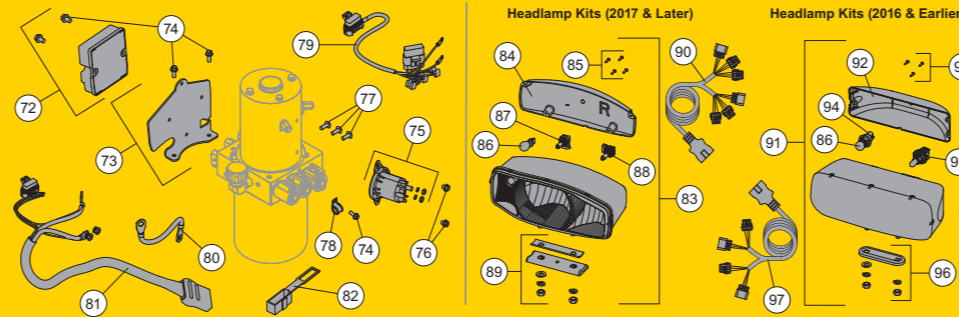
ns = not shown



## A-FRAME

Item	Part	Description	Item	Part	Description
64	52186	A-Frame Kit - HD2	68	68340	Quick Link
65	50668	1 x 9-1/2 Pivot Bolt Kit	69	27074	Spring
66	26999-1	5/16 G43 Lift Chain Bag	70	A6148K	U-Bolt Assembly Packet
67	49521	Spring / U-Bolt / Link Kit	71	43603	1 x 3-3/4 Clevis Pin w/Cotter

G = Grade

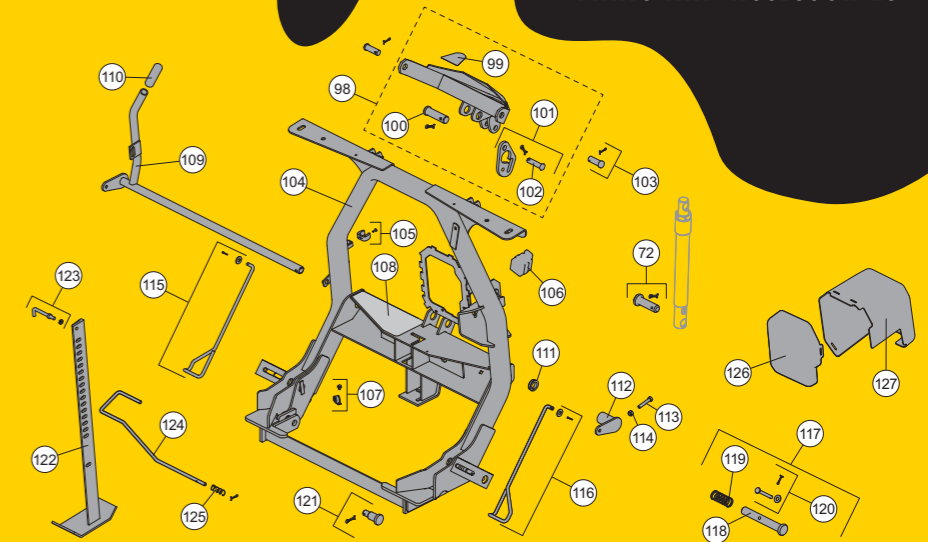


## ELECTRICAL COMPONENTS & HEADLAMPS

Item	Part	Description	Item	Part	Description
72	49567	Plow Module, 2-Port	84	38803	Rear Cover Kit H9/H11 - PS
73	42287	Bracket - Plow Module	ns	38812	Rear Cover Kit H9/H11 - DS
74	44355	1/4-20 x 5/8 Hex Washer-Head Thread-Rolling Screw	85	38808	Cover Screws Service Kit H9/H11 (pkg of 4)
75	42901	Motor Relay Kit FLEET FLEX	86	-	Park/Turn Bulb (Trade No. 4157NAK)
76	29099	1/4-20 x 1/4 Hex Washer-Head Thread-Rolling Screw	87	38811	H11 Headlamp Bulb Service Kit
77	98043	3/8-16 x 1 Button Cap Screw	88	38809	H9 Headlamp Bulb Service Kit
78	49522	Clamp Loop Kit	89	38804	Mounting Hardware Kit H9/H11
79	28581-1	Harness Plow Control, 3-Solenoid	90	38807	Harness Service Kit H9/H11
80	29071	Cable Assembly 8"	91	28802-1	Headlamp Service Kit H13 - PS
81	42015	Snowplow Battery Cable	ns	28801-1	Headlamp Service Kit H13 - DS
82	8291K	Plug Cover	ns	28800-1	Headlamp Kit (pair) H13
ns	28587*	Vehicle Control Harness	92	28803-1	Rear Cover Kit H13 (fits 2- or 3-screw)
ns	26498	Vehicle Control Harness - Central Hydraulics	93	28808-1	Cover Screws Service Kit H13 (pkg of 3)
ns	42014*	Vehicle Battery Cable	94	28805	Park/Turn Socket Service Kit
83	38802	Headlamp Service Kit H9/H11 - PS	95	28806	H13 Headlamp Bulb Service Kit
ns	38801	Headlamp Service Kit H9/H11 - DS	96	28804	Mounting Hardware Kit H13
ns	38800	Headlamp Kit (pair) H9/H11	97	28213K	Harness Service Kit H13

\* Not used for central hydraulics.

ns = not shown



## HEADGEAR

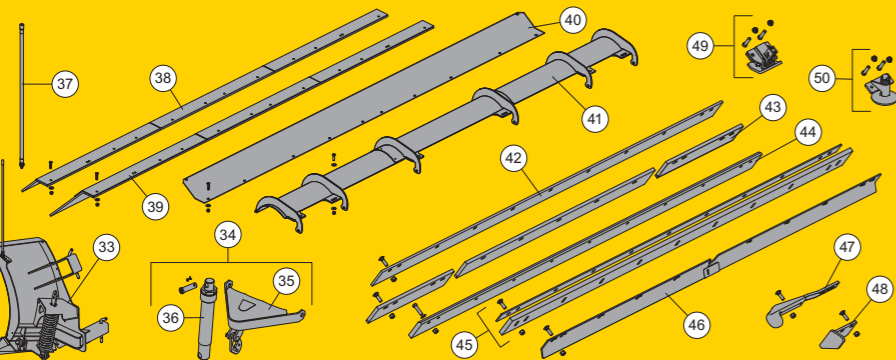
Item	Part	Description	Item	Part	Description
98	26757-1	Lift Arm Service Kit - Yellow	113	90043	3/8-16 x 2 Hex Cap Screw G5
99	26777	Nameplate - Minute Mount® 2	114	91333	3/8 x 16 Hex Locknut GB
100	95720	1 x 3.313 Clevis Pin HT	115	27166K	Wire Cam Kit - DS
101	28991	Stop Link Kit	116	27167K	Wire Cam Kit - PS
102	29037	5/8 x 2-5/8 Clevis Pin G8 w/Cotter	117	27168K	Connecting Pin Kit
103	4289K	3/4 x 1-7/8 Machine Pin Packet	118	26833	1 x 6-15/16 Clevis Pin
104	49652	Headgear	119	821	1 x 3-1/2 Compression Spring
ns	42283	Headgear Service Kit (includes jack, link arm, connecting pin assemblies)	120	26219	3/8 x 3-1/4 Clevis Pin Kit
105	27162K-1	Stop Clip Kit	121	27177K	Step Pin Kit
106	8284K	Cable Boot	122	27462	Jack
107	49522*	Clamp Loop Kit	123	27164K	Handle Kit
108	27451	Label - Attach/Detach, Minute Mount 2	124	27478	Jack Lock
109	27468	Handle, Link Arm Assembly	125	27461	3/4 x 3-1/2 Compression Spring
110	27535	Handle Cover Kit	126	68312-1*	Hydraulic Cover, Front
111	27163K	Snap-In Bushing Kit (set of 2)	127	68313-1*	Hydraulic Cover, Rear
112	27465	Link Arm	ns	69689*	Label - SECURITY GUARD™

\* Used for central hydraulics only. \* Not used for central hydraulics.

ns = not shown

G = Grade

HT = Heat Treated



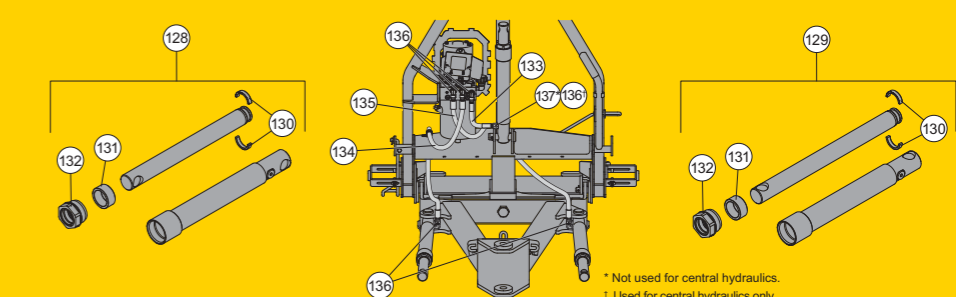
## ACCESSORIES

Item	Description	Part				Item	Description	Part			
		7-1/2'	8'	8-1/2'	9'			7-1/2'	8'	8-1/2'	9'
33**	Accessory Wings (DS & PS)	41790	-	-	-	ns	1/2 Steel Cutting Edge Kit	50678	-	-	-
34	HD Lift Arm & Ram Kit - Yellow	43875	-	-	-	43	Carbide Cutting Edge Kit	52147	52148	52148	52150
35	HD Lift Arm - Yellow	28350-2	-	-	-	44*	Poly Cutting Edge Kit	52168	52169	52170	52170
36	1-3/4 x 10 Lift Ram	43132	-	-	-	45*	Rubber Cutting Edge Kit	52118	52119	52120	52120
37	36" Blade Guide Kit (qty 2)	51975	-	-	-	46	Back Drag Edge Kit	51996	51997	51998	51999
38	10" Rubber Deflector Kit	52094	52095	52096	52096	47*	Curb Guard Kit (qty 2)	44405	44405	44406	44406
39	18" Rubber Deflector Kit	52097	52098	52099	52099	48*	Wear/Curb Guard Kit (DS & PS)	51879	51879	51880	51880
40	Steel Deflector	41844	41845	41846	41847	49	Adjustable Shoe Kit (qty 2)	41785	41785	41785	41785
41	SnoFoil® Assembly	52488	-	-	-	50	Cast Shoe Kit (qty 2)	52506	52506	52506	52506
42	5/8 Steel Cutting Edge Kit	52675	52680	52685	52690						

\*\* Items 47 & 48 Curb Guards not compatible with Accessory Wings.

\* Items 44 and 45 Cutting Edges not compatible with Accessory Wings or Curb Guards.

ns = not shown



## RAMS, HOSES & FITTINGS

Item	Part	Description	Item	Part	Description
128	56600K	Lift Ram Assembly 1-1/2 x 10	133	56832	Hose, 1/4 x 8 w/F JIC Ends
129	56603K	Angle Ram Assembly 1-1/2 x 12	134	49501	Hose, 3/8 x 36 w/F JIC Ends
130	20118K	Split Bearing Kit 1-1/2"	135	44348	Hose, 3/8 x 42 w/F JIC Ends
131	56537	Spacer	136	56725*	Elbow, 90° -6 M JIC/-6 M ORB
132	48985	Gland Nut Assembly	137	49526*	Connector, Short -6 M JIC/-6 M ORB

Full parts lists available at [www.fisherplows.com](http://www.fisherplows.com): (Lit. Nos. 41776 and 85302).

Copyright © 2017 Douglas Dynamics, LLC. All rights reserved. This material may not be reproduced or copied, in whole or in part, in any printed, mechanical, electronic, film, or other distribution and storage media, without the written consent of Fisher Engineering. Authorization to photocopy items for internal or personal use by Fisher Engineering outlets or spreader owner is granted.

Fisher Engineering reserves the right under its product improvement policy to change construction or design details and furnish equipment when so altered without reference to illustrations or specifications used. Fisher Engineering or the vehicle manufacturer may require or recommend optional equipment for snow removal. Do not exceed vehicle ratings with a spreader. Fisher Engineering offers a limited warranty for all spreaders and accessories. See separately printed page for this important information. The following are registered (®) or unregistered (™) trademarks of Douglas Dynamics, LLC: FISHER®, HD2™, Minute Mount® 2, SECURITY GUARD™, SnoFoil®.

Lit. No. 56889, Rev. 01

Printed in U.S.A.

June 15, 2017



[www.fisherplows.com](http://www.fisherplows.com)