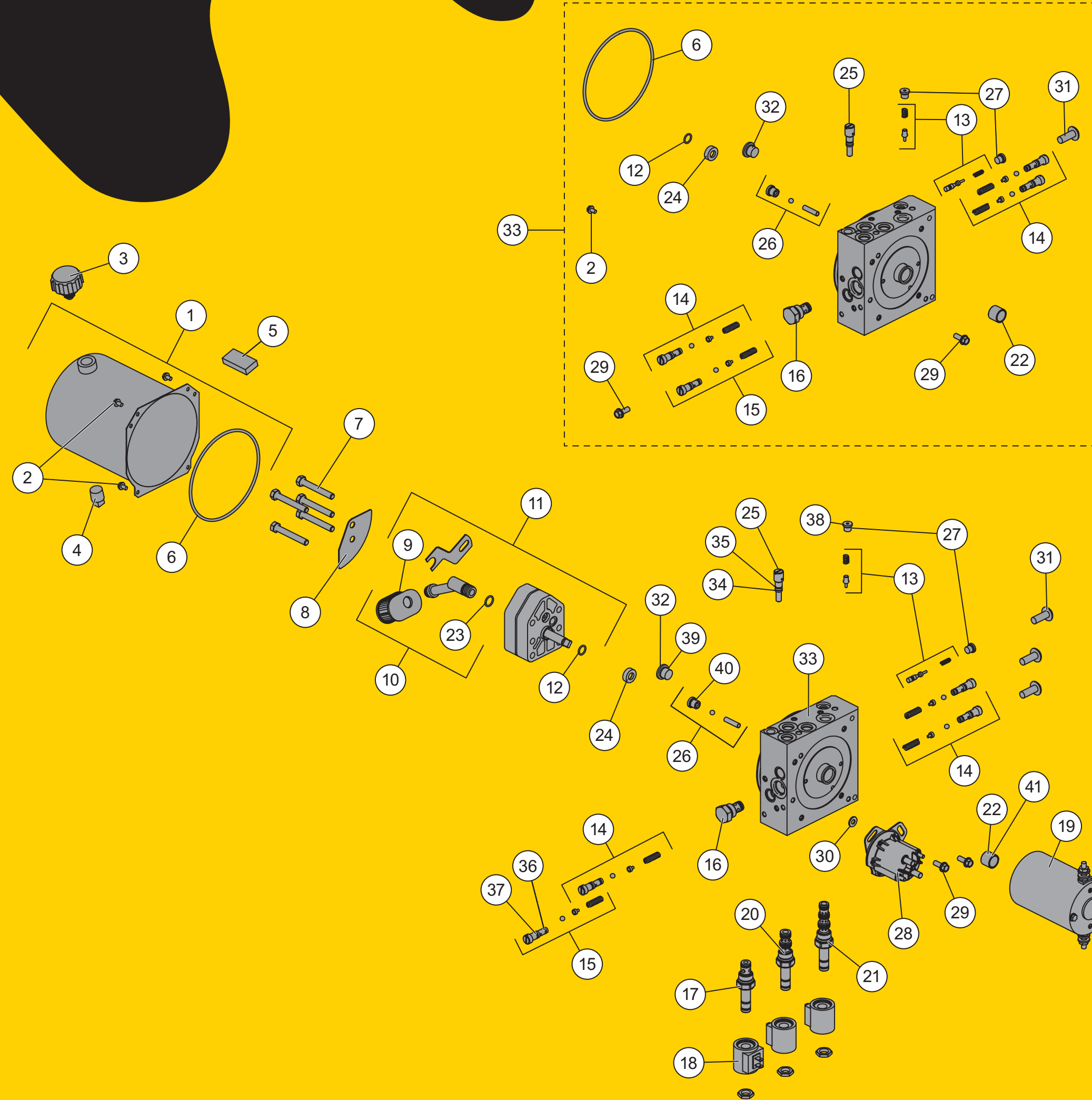


HS

COMPACT SNOWPLOWS



HYDRAULIC UNIT

Item	Part	Description	Item	Part	Description
-	84949*	Hydraulic Unit Service Kit HS	24	66515*	Pump Shaft Seal
1	48538	Reservoir Kit	25	48517	Quill
2	66607	#10-24 x 5/16 Slotted Hex Washer-Head Machine Screw	26	48518	Check Valve Assembly
3	21727-2	Breather	27	92960	Plug, Hex Socket -3 M ORB
4	92079	Plug 3/8 NPTF	28	52290	Motor Relay Kit, FLEET FLEX
5	73897	Magnet	29	44355	1/4-20 x 5/8 Hex Washer-Head Thread-Rolling Screw
6	66519	O-Ring 2-250	30	91119	3/16 Flat Washer Type A Special
7	90073	5/16-18 x 2-1/4 Hex Cap Screw G5	31	98043	3/8-16 x 1 Button-Head Cap Screw
8	48464	Plate Baffle	32	56532	Plug, -6 SAE O-Ring Boss
9	26781-4	Suction Filter	33	84950	Manifold Assembly w/o Valves (incl. items 2, 6, 12-16, 22, 24-27, 29, 31, 32)
10	66763-1	Inlet Fitting w/Filter	34	48239	O-Ring -106
11	27746	Pump Kit	35	48240	Back-Up O-Ring -106
12	56274	O-Ring -013	36	55371	O-Ring -008
13	7630K	Poppet Check Valve Kit	37	25731	O-Ring -010
14	7629K-4	Relief Valve Kit (2 sets)	38	26784	O-Ring -903
15	27792-1	Relief Valve Repair Kit	39	56569	O-Ring -906
16	44333-1	Check Valve CV08-20	40	44343	O-Ring -904
17	7634K-2	Valve 2-Way w/Nut	41	64596-1†	Sleeve Bearing and Shaft Seal Kit
18	7639K-2	Coil w/Spade Terminals	ns	52252	Seal Repair Tool w/Seal
19	48543-1	Motor Assembly 3"	O-Ring Service Kits		
20	66608K-1	Cartridge Valve 3-Way w/Nut	ns	7632K-5	O-Ring & Back-Up O-Ring Kit
21	7637K-1	Cartridge Valve 4-Way w/Nut	ns	49258-2	Seal Kit, 2-Way Valve
22	56364†	Bearing Sleeve	ns	49259-2	Seal Kit, 3-Way & 4-Way Valve
23	56416	O-Ring -014			

* Includes plow-side electrical components (shown separately).

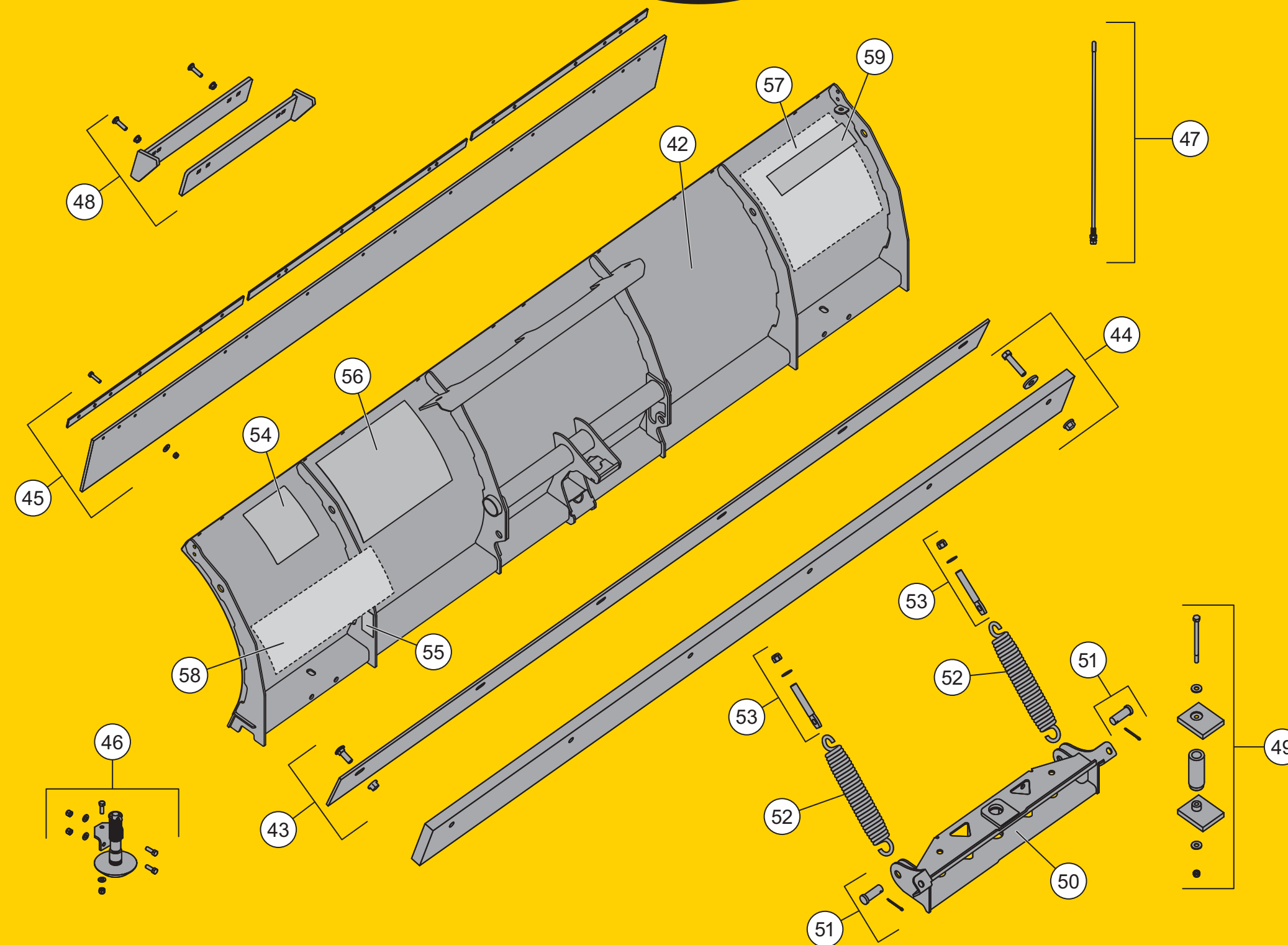
† Use 64589 tool for bearing sleeve replacement (includes 1 bearing).

‡ Use 28856 tool for pump replacement (includes 1 seal).

ns = not shown

G = Grade

M = Male

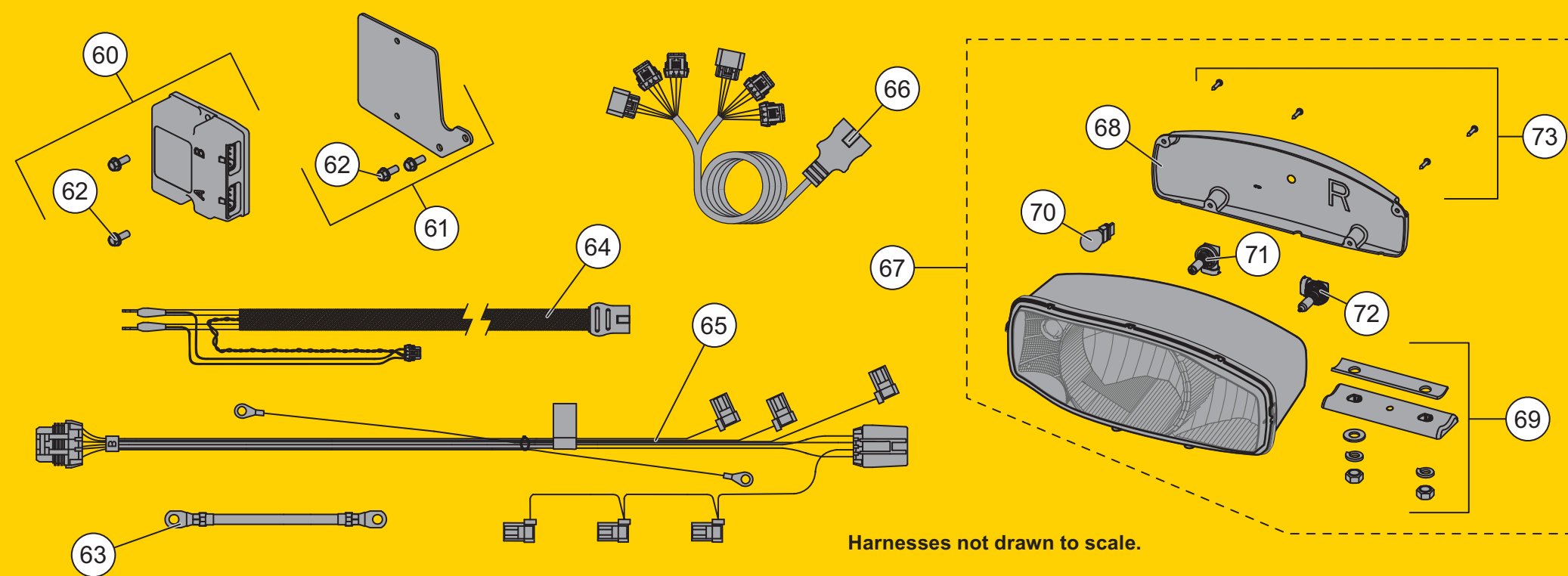


BLADE ASSEMBLY

Item	Part	Description	Item	Part	Description
42	85277	HS Compact Blade w/Labels 6'8"	48*	85332	Curb Guard Kit
	85278	HS Compact Blade w/Labels 7'2"	49	84629	Center Pivot Bolt Kit
43	93678	1/4 Steel Cutting Edge Kit 6'8"	50	84573	Quadrant
	93679	1/4 Steel Cutting Edge Kit 7'2"	51	4289K	3/4 x 2 Clevis Pin Kit w/Cotter
ns*	85289	3/8 Steel Cutting Edge Kit 6'8"	52	B61167	Trip Spring
	85290	3/8 Steel Cutting Edge Kit 7'2"	53*	84702	Eyebolt Kit
ns	76512	Bolt Bag, Steel Cutting Edge	54	59900	Label - Warning/Caution, Snowplows
44*	76476	Poly Cutting Edge Kit 6'8"	55	29256	Label - Warning, Foot Crush
	76477	Poly Cutting Edge Kit 7'2"	56	88339	Label - Attach/Detach, Compact Snowplows
ns	86470	Bolt Bag, Poly Cutting Edge	57	20238	Label - Logo, FISHER® Moldboard
45*	85263	Rubber Deflector Kit	58	83837	Label - Logo, HS Snowplow
46*	83845	Shoe Assembly Kit	59	26211	Label - Logo, STORM GUARD™
47	7906K	Blade Guide Kit (set of 2)	-	85296	Blade Labels Kit

* Accessory only.

ns = not shown



ELECTRICAL COMPONENTS

Item	Part	Description	Item	Part	Description
60	49567	Plow Module	ns	38801	Headlamp Service Kit H9/H11 - DS
61	84957	Module Plate w/Screws	68	38803	Rear Cover Kit H9/H11 - PS
62	44355	1/4-20 x 5/8 Hex Washer-Head Thread-Rolling Screw	ns	38812	Rear Cover Kit H9/H11 - DS
63	29071	Cable Assembly, 8"	69	38804	Mounting Hardware Kit H9/H11
64	42015	Cable Assembly, Plow	70	-	Park/Turn Bulb (trade no. 4157NAK)
65	28581-1	Harness, Plow Control 3-Solenoid	71	38811	Headlamp Bulb Service Kit H11
66	38807	Harness Service Kit H9/H11	72	38809	Headlamp Bulb Service Kit H9
67	38802	Headlamp Service Kit H9/H11 - PS	73	38808	Cover Screws Service Kit H9/H11 (pkg of 4)

ns = not shown

Full parts list available at www.fisherplows.com (Lit. No. 85283).

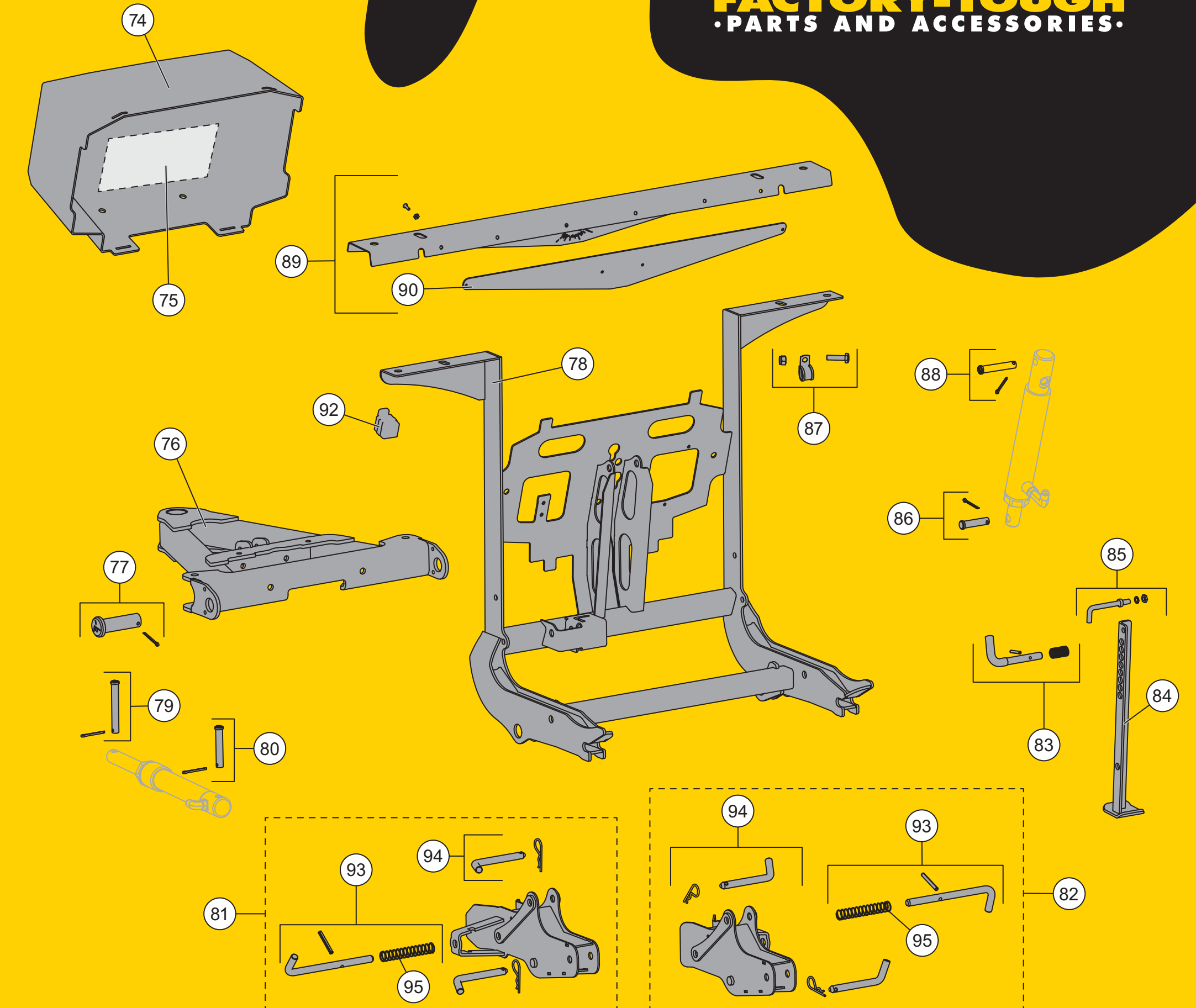
Copyright © 2021 Douglas Dynamics, LLC. All rights reserved. This material may not be reproduced or copied, in whole or in part, in any printed, mechanical, electronic, film, or other distribution and storage media, without the written consent of Fisher Engineering. Authorization to photocopy items for internal or personal use by Fisher Engineering outlets or snowplow owner is granted.

Fisher Engineering reserves the right under its product improvement policy to change construction or design details and furnish equipment when so altered without reference to illustrations or specifications used. Fisher Engineering or the vehicle manufacturer may require or recommend optional equipment for snow removal. Do not exceed vehicle ratings with a snowplow. Fisher Engineering offers a limited warranty for all snowplows and accessories. See separately printed page for this important information. The following are registered (®) or unregistered (™) trademarks of Douglas Dynamics, LLC: FISHER®, STORM GUARD™.



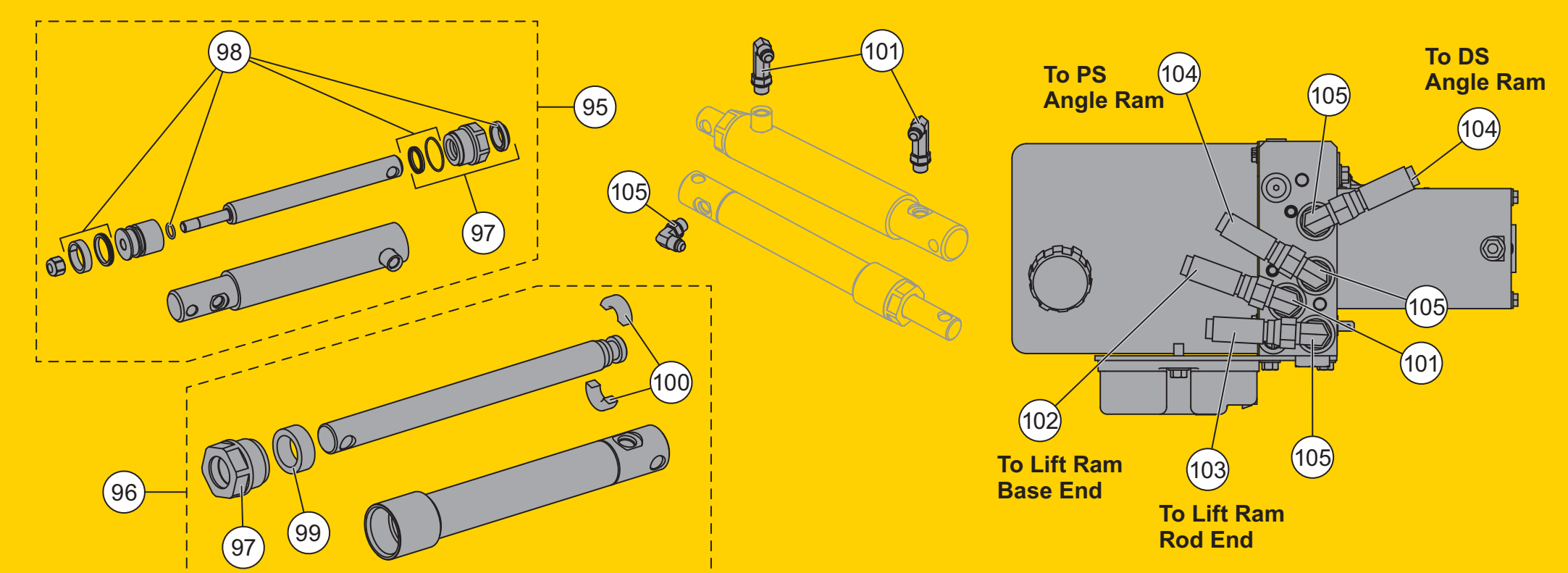
Fisher Engineering
50 Gordon Drive
Rockland, ME 04841

www.fisherplows.com



HEADGEAR & A-FRAME

Item	Part	Description	Item	Part	Description
74	85194	Hydraulic Cover (incl. item 75)	85	27164K	Stand Handle Kit
75	84963	Label - Information, Hydraulic Cover	86	84627	Lift Ram Rod Pin Kit
76	85324	A-Frame	87	84778	Power Cable Clamp Loop Kit
77	7904K	A-Frame Pin Kit	88	85199	Lift Ram Base Pin Kit
78	85323	Headgear	89	85325	Light Bar
79	83629	Angle Ram Rod Pin Kit	90	85326	Backer Plate
80	85198	Angle Ram Base Pin Kit	91	61246	Cable Boot
81	83791	Receiver Kit, DS	92	83886	Hitch Pin Kit
82	83792	Receiver Kit, PS	93	84610	Receiver Pin Kit
83	83881	Stand Pin Kit	94	85253	0.72 OD x 4-1/4 Spring
84	85328	Stand			



RAMS, HOSES, & FITTINGS

Item	Part	Description	Item	Part	Description
95	84496	Lift Ram Assembly 1-1/2 x 6 DA	101	84446	Hose, 1/4 x 14 w/F JIC Ends
96	56772K	Angle Ram Assembly 1 x 7	102	56830	Hose, 1/4 x 22 w/F JIC Ends
97	52277	1" Gland Nut Assembly	103	56710	Hose, 1/4 x 32 w/F JIC Ends
98	27788-1	Seal Kit 1-1/2 DA Ram	104	56615-1	Elbow, 90° -6 M JIC / -6 M ORB
99	56803	Spacer	105	44361	Elbow, Extra Long 90° -6 M JIC / -6 M ORB
100	56771F	1" Split Bearing Kit	ns	56823	Hose Wrap

ns = not shown

F = Female

M = Male