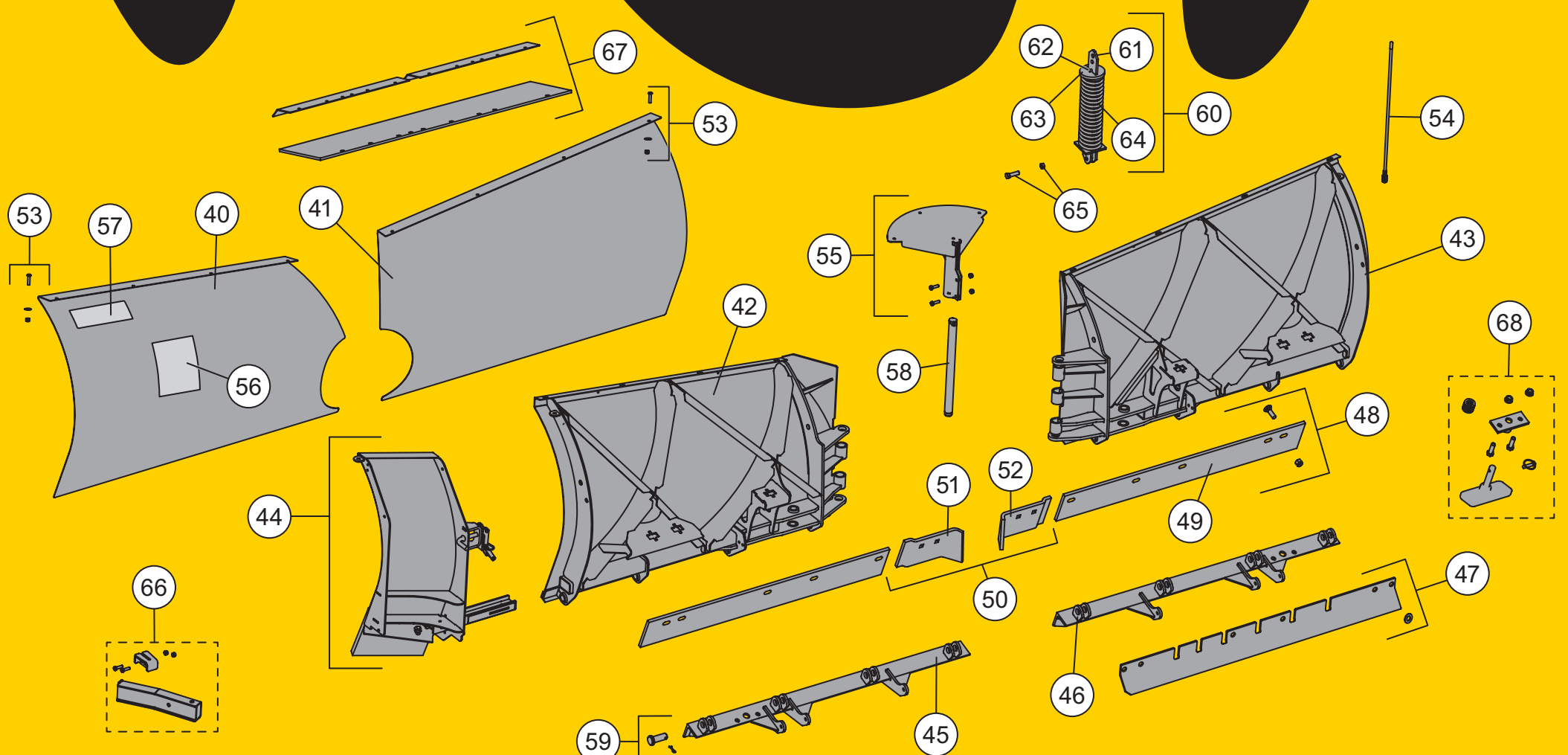


## 11775 HYDRAULIC UNIT

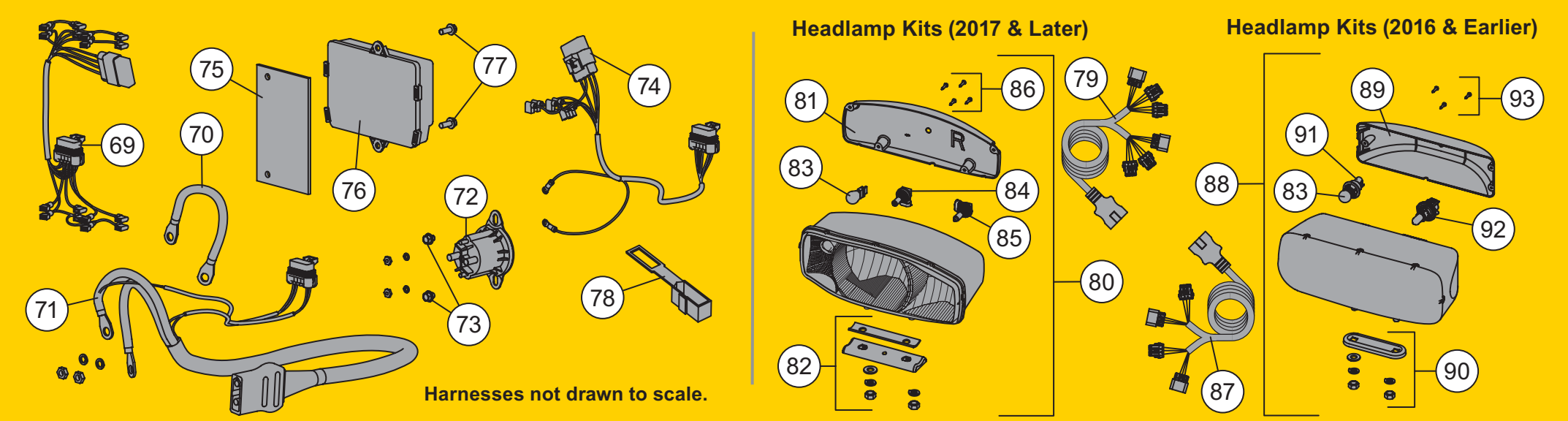
Item	Part	Description	Item	Part	Description
-	44330	Hydraulic Unit	16	44335	Valve SF08-2015 w/Nut
1	21727-2	Breather Pressure Control	17	44369	Valve Lock Ring w/Screw
2	44327-2	Reservoir Kit	18	63943	#8-18 x 3/8 Hex Serrated Flange Tapping Screw Type AB
3	66607	#10-24 x 5/16 Slotted Hex Washer-Head Machine Screw	19	48517	Quill Assembly 1/2-20 Thread
4	92079	Plug, Square 3/8 NPTF	20	44344	Plug, Hex Socket -4 M ORB
5	66519	O-Ring 2-250	21	7629K-4	Relief Valve Kit (2 sets)
6	73897	Magnet	22	44337	Relief Valve Kit (2 sets)
7	90080	5/16-18 x 2-1/2 Hex Cap Screw G5	23	44333-1	Check Valve CV08-20
8	44329-1	Pump Kit	24	92960	Plug, Hex Socket -3 M ORB
9	26781-3	Suction Filter	25	29077	O-Ring -110
10	56274	O-Ring -013	26	29081	1/4-20 x 3 Socket Cap Screw Hexagon Socket
11	66515	Pump Shaft Seal	27	98043	3/8-16 x 1 Button Cap Screw w/Flange
12	21500K-1	Motor Assembly 4-1/2"	28	10887	Inlet Fitting
13	7639K-2	Coil with Spade Terminals	29	43867	Cover Assembly XV2™
14	44331	Valve SVC08-20 w/Nut	ns	64596-1	Sleeve Bearing and Shaft Seal Kit
15	7634K-2	Valve SV08-2004 w/Nut			
<b>Item 29 43867 Cover Assembly XV2</b>					
30	44352	Top Retainer Ring	35	44303	Cover, Side 3
31	44366	Bottom Retainer Ring	36	44304	Cover, Side 4
32	44326	1/4-20 x 1/2 Lobe Round Washer-Head Screw, pkg of 5 (incl. 8" & 14" cable ties)	37	44310	Label - Information (S1-S3)
33	44301	Cover, Side 1	38	44319	Label - Information (S4-S11)
34	44302	Cover, Side 2	39	43222	Label - XV2™ Hydraulic Unit
<b>O-Ring Service Kits</b>					
ns	7632K-4	O-Ring Kit & Back-Up Ring Kit	ns	49259-2	Seal Kit Cartridge, 3-Way and 4-Way Valve
ns	49258-2	Seal Kit, 2-Way Valve			



## BLADE COMPONENTS

Item	Description	Part Number					Item	Description	Part Number				
		7'6" SS	8'6" MS	8'6" SS	9'6" MS	9'6" SS			7'6" SS	8'6" MS	8'6" SS	9'6" MS	9'6" SS
40	Moldboard Kit - DS	43090	43092	43094	43096	43098	49	3/8 Cutting Edge (single)	44896-1	44897	-		
41	Moldboard Kit - PS	43091	43093	43095	43097	43099		1/2 Cutting Edge (single)	44996-1*	44997*	44898		
42	Frame, Base Angle, Springs - DS	43120	43121		43122			5/8 Cutting Edge (single)	-	85355*	85356*		
43	Frame, Base Angle, Springs - PS	43123	43124		43125		ns	Bolt Bag, Cutting Edge (5 sets)		44763			
44	Blade Wing Extension Kit	-		43510-1*			50	Center Cutting Edge Kit*		44894-1			
45	Base Angle - DS	43126	43128		43130			5/8 Center Cutting Edge Kit*		85357*			
46	Base Angle - PS	43127	43129		43131		51	Center Cutting Edge - DS		44891-1			
47	Back Drag Edge Kit	44281-3*	44282-3*		44283-3*			5/8 Center Cutting Edge - DS		85351*			
48	3/8 Cutting Edge Kit*	44740-2	44741-2		-		52	Center Cutting Edge - PS		44890-1			
	1/2 Cutting Edge Kit*	44742-2*	44743-2*		44744-2			5/8 Center Cutting Edge - PS		85352*			
	5/8 Cutting Edge Kit*	-	85361*		85362*		53	Moldboard Fasteners Kit	43289	43890	43289	43890	43289

\* Accessory only. MS = Mild Steel SS = Stainless Steel ns = not shown \* Includes fasteners (14 sets).

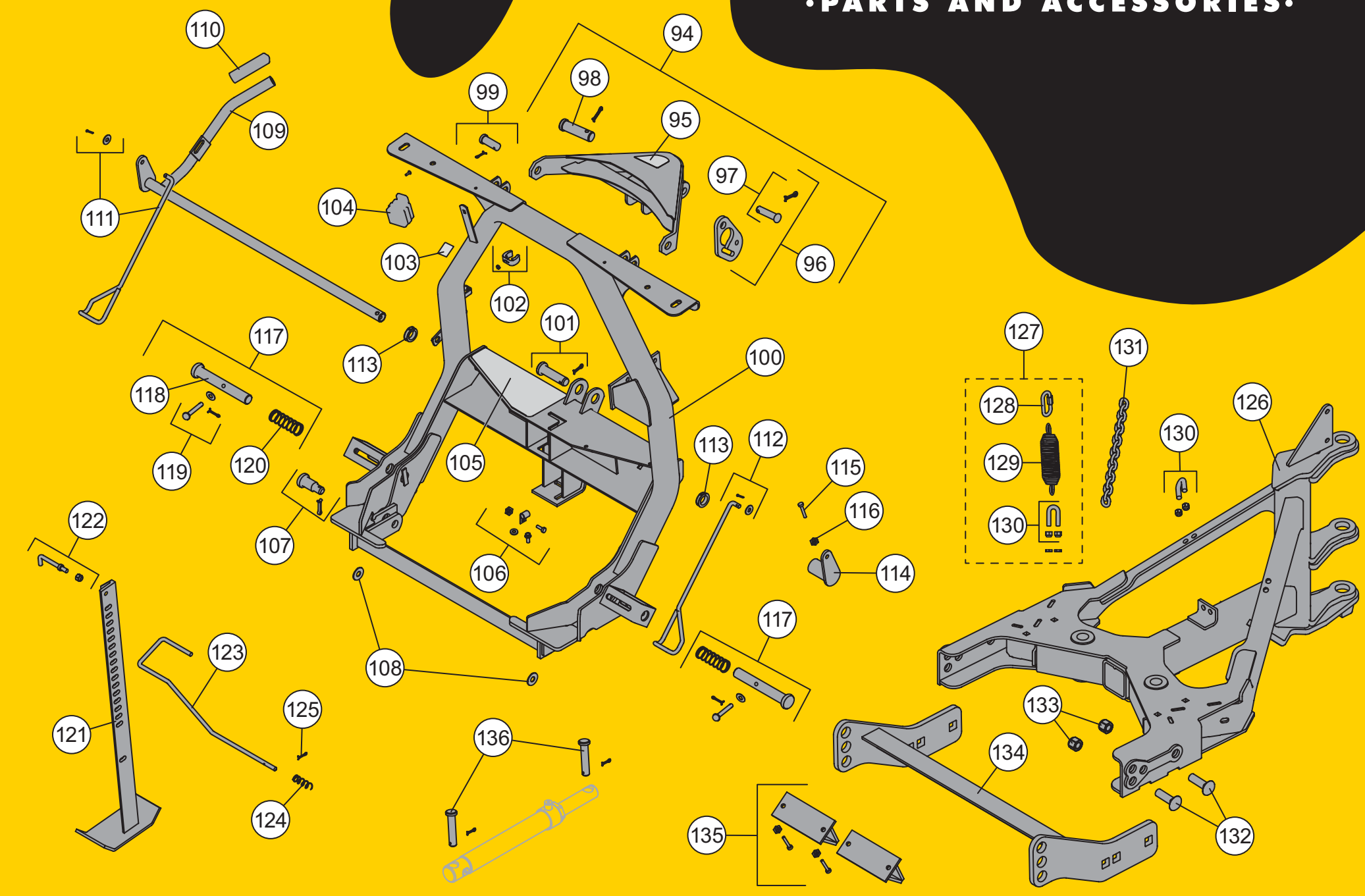


## ELECTRICAL COMPONENTS

Item	Part	Description	Item	Part	Description
69	28583	Harness Plow Control, 8-Solenoid	81	38803	Rear Cover Kit H9/H11 - PS
70	29071	Cable Assembly 8"	ns	38812	Rear Cover Kit H9/H11 - DS
71	42015	Cable Assembly, Snowplow	82	38804	Mounting Hardware Kit H9/H11
72	42901	Motor Relay Kit FLEET FLEX System	83	-	Park/Turn Bulb (trade no. 4157NAK)
73	29099	1/4-20 x 1/4 Hex Washer-Head Thread-Rolling Screw	84	38811	Headlamp Bulb Service Kit H11
74	28581-1	Harness Plow Control, 3-Solenoid	85	38809	Headlamp Bulb Service Kit H9
75	44308	Spacer Module	86	38808	Cover Screws Service Kit H9/H11 (pkg of 4)
76	44354-3	Plow Module	ns	26498	Vehicle Control Harness - Central Hydraulics
77	44355	1/4-20 x 5/8 Hex Washer-Head Thread-Rolling Screw	87	28213K	Harness Service Kit H13
ns	8329K	Dielectric Grease (pkg of 2)	88	28802-1	Headlamp Service Kit H13 - PS
ns	72168	Vehicle Battery Cable	ns	28801-1	Headlamp Service Kit H13 - DS
ns	28587	Vehicle Control Harness	ns	28800-1	Headlamp Kit H13 (pair)
78	8291K	Plug Cover Kit	89	28803-1	Rear Cover Kit (fits 2- or 3-screw)
79	38807	Harness Service Kit H9/H11	90	28804	Mounting Hardware Kit
80	38802	Headlamp Service Kit H9/H11 - PS	91	28805	Park/Turn Socket Service Kit
ns	38801	Headlamp Service Kit H9/H11 - DS	92	28806	Headlamp Bulb Service Kit H13
ns	38800	Headlamp Kit H9/H11 (pair)	93	28808-1	Cover Screws Service Kit (pkg of 3)

ns = not shown

Full Parts Lists available at [www.fisherplows.com](http://www.fisherplows.com) (Lit. Nos. 43070 and 85301).



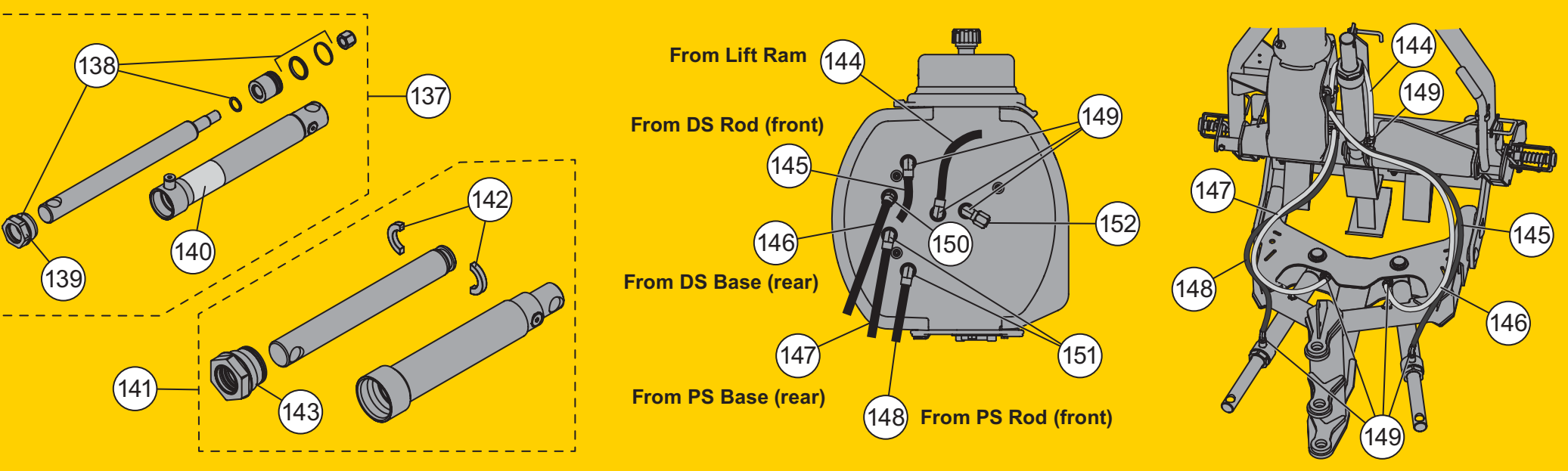
## HEADGEAR & T-FRAME

Item	Part	Description	Item	Part	Description
94	28350-2	Lift Arm Kit (yellow)	116	91333	3/8-16 Hex Locknut GB
	27560-2	Lift Arm Kit (silver)	117	27168K	Connecting Pin Kit
95	26777	Nameplate - Minute Mount® 2	118	26833	1 x 6-15/16 Pin
96	28991	Stop Link Kit	119	26219	3/8 x 3-1/4 Clevis Pin Kit
97	29037	5/8 x 2-5/8 Clevis Pin G8 w/Cotter	120	821	Compression Spring, 1 ID x 3-1/2
98	95720	1 x 3-5/16 Clevis Pin HT	121	27462	Jack
99	4289K	3/4 x 2 Machine Pin Packet	122	27164K	Handle Kit
100	44558-2	Headgear	123	27478	Jack Lock
101	43603	1 x 3-3/4 Clevis Pin Kit	124	27461	Compression Spring, 3/4 OD x 3-1/2
102	27162K-1	Stop Clip Kit	125	90658	5/32 x 1-1/4 Cotter Pin
103	6969K-1	Label - SECURITY GUARD™	126	43119	T-Frame Service Kit (includes items 57 and 129-132)
104	8284K	Cable Boot	127	49521	Spring/U-Bolt/Link Kit
105	27451	Label - Attach/Detach, Minute Mount 2	128	68340	Quick Link
106	27172K	Clamp Loop Kit	129	27074	Spring
107	27177K	Step Pin Kit	130	A6148K	U-Bolt Assembly Packet
108	91192	1-3/4 Flat Washer Special	131	27912-1	5/16 Grade 43 Chain Bag
109	27468	Handle, Link Arm Assembly	132	63913	3/4-10 x 2-1/2 Carriage Bolt G5
110	27535	Handle Cover	133	91338	3/4-10 Hex Locknut GB
111	27166K	Wire Cam Kit - DS	134	44556-2	Push Assembly
112	27167K	Wire Cam Kit - PS	135	50632	Stacking Stop Kit - Short
113	27163K	Bushing Kit (pkg of 2)	ns	44554	Stacking Stop Kit - Long
114	27465	Link Arm	136	22260	1 x 4-3/4 Clevis Pin
115	90043	3/8-16 x 2 Hex Cap Screw G5			

ns = not shown

G = Grade

HT = Heat Treated



## RAMS, HOSES & FITTINGS

Item	Part	Description	Item	Part	Description
137	44340	Angle Ram Assembly 1-3/4 x 11 DA	146	44348	Hose, 3/8 x 42 w/F JIC Ends
138	44342	Seal Kit 1-3/4 DA Ram	147	44315	Hose, 3/8 x 38 w/F JIC Ends
139	48985	Gland Nut Assembly	148	56599	Hose, 1/4 x 36 w/F JIC Ends
140	48847	Label - InstLock Double-Acting Cylinder	149	56725	Elbow, 90° -6 M JIC/-6 M ORB
141	43132-1	Lift Ram Assembly 1-3/4 x 10	150	56726	Elbow, 45° -6 M JIC/-6 M ORB
142	43134	Split Bearing	151	44361	Elbow, Extra Long 90° -6 M JIC/-6 M ORB
143	43135	Headlamp Nut Assembly	152	44345	Drain Cap, -6 F JIC
144	56592	Hose, 1/4 x 16 w/F JIC Ends	ns	56823	Hose Wrap, Polyethylene
145	56591	Hose, 1/4 x 42 w/F JIC Ends	ns	98043	3/8-16 x 1 Button Cap Screw w/Flange

F = Female

M = Male

ns = not shown

Copyright © 2022 Douglas Dynamics, LLC. All rights reserved. This material may not be reproduced or copied in whole or in part in any printed, mechanical, electronic, film, or other distribution and storage media, without the written consent of Fisher Engineering. Authorization to photocopy items for internal or personal use by Fisher Engineering outlets or snowplow owner is granted.

Fisher Engineering reserves the right under its product improvement policy to change construction or design details and furnish equipment when so altered without reference to illustrations or specifications used. Fisher Engineering or the vehicle manufacturer may require or recommend optional equipment for snow removal. Do not exceed vehicle ratings with a snowplow. Fisher Engineering offers a limited warranty for all snowplows and accessories. See separately printed page for this important information. The following are registered (®) or unregistered (™) trademarks of Douglas Dynamics, LLC: FISHER®, Minute Mount™ 2, SECURITY GUARD™, STORM GUARD™, XV2™.

Lit. No. 72212, Rev. 03 Printed in U.S.A. November 15, 2022

**Fisher Engineering**  
50 Gordon Drive  
Rockland, ME 04841  
[www.fisherplows.com](http://www.fisherplows.com)