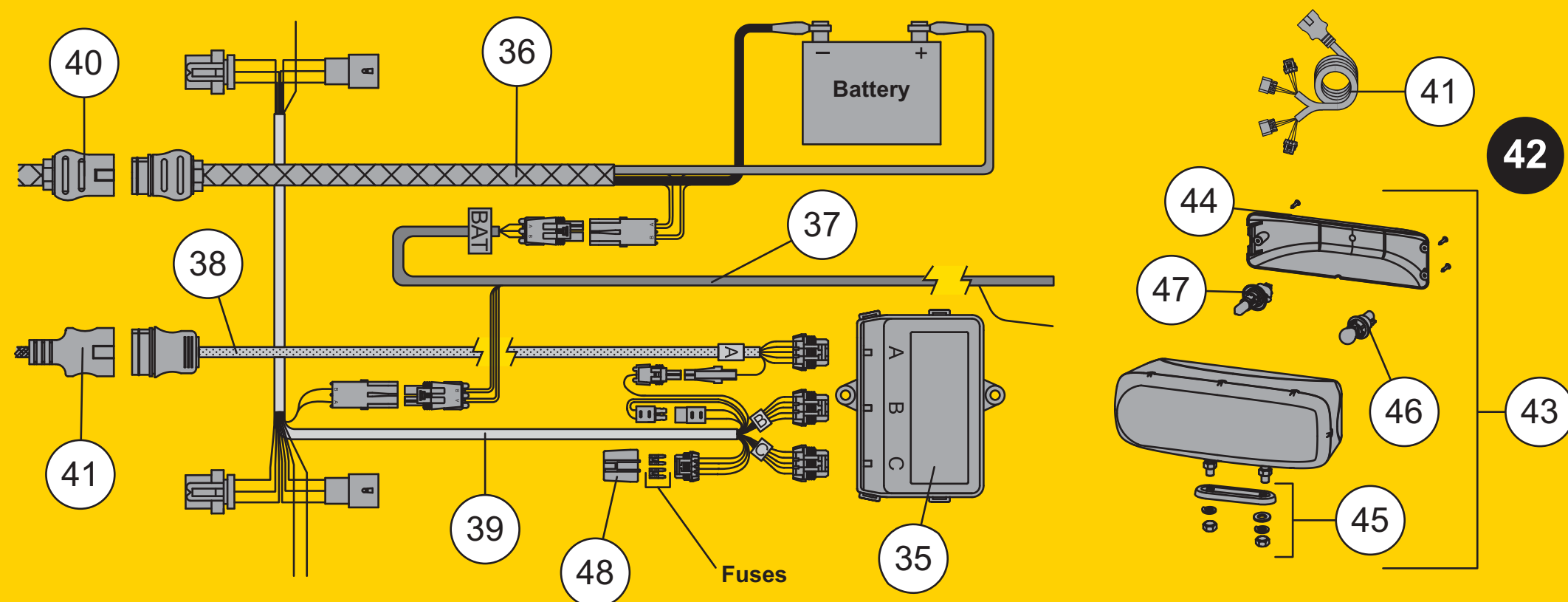


HEADGEAR

Item	Part	Description	Item	Part	Description
1	44558	Headgear	18	821	1 ID x 3-1/2 Compression Spring
2	26757-1	Lift Arm Kit - Yellow	19	26833	1 OD x 6-15/16 Pin
3	27560-1	Lift Arm Kit - Silver (XV only)	20	-	3/8 Flat Washer
4	28991	Stop Link Kit	21	-	1/8 x 1 Cotter Pin
5	29037	1/2 x 2-1/2 Clevis Pin w/Cotter Pin	22	27162K	Stop Clip Kit
6	95720	1 x 3-5/16 Clevis Pin HT	23	26188	Thimble
7	90601	1/4 x 1-1/2 Cotter Pin	24	27535	Handle Cover Kit
8	27462	Jack	25	27465	Link Arm
9	27164K	Jack Handle Kit	26	-	3/8-16 x 2 Hex Cap Screw G5
10	27163K	Bushing Kit (2 bushings)	27	-	3/8-16 Hex Locknut GB
11	4289K	3/4 x 1-7/8 Machine Pin w/Cotter Pin	28	26219	Clevis Pin Kit
12	90658	5/32 x 1-1/4 Cotter Pin	29	27534	Spring / U-Bolt Kit
13	27468	Handle-Link Arm Assembly	30	27171K	3/8 x 1 Clevis Kit
14	27166K	Wire Cam Kit - DS	31	27169K	Cable Kit
15	27167K	Wire Cam Kit - PS	32	27075	1/8 Wire Rope Clip
16	27478	Jack Lock	33	27172K	Clamp Loop Kit
17	27461	3/4 OD x 3-1/2 Compression Spring	34	-	1-3/4 Round Flat Washer
17	27168K	Connecting Pin Kit			

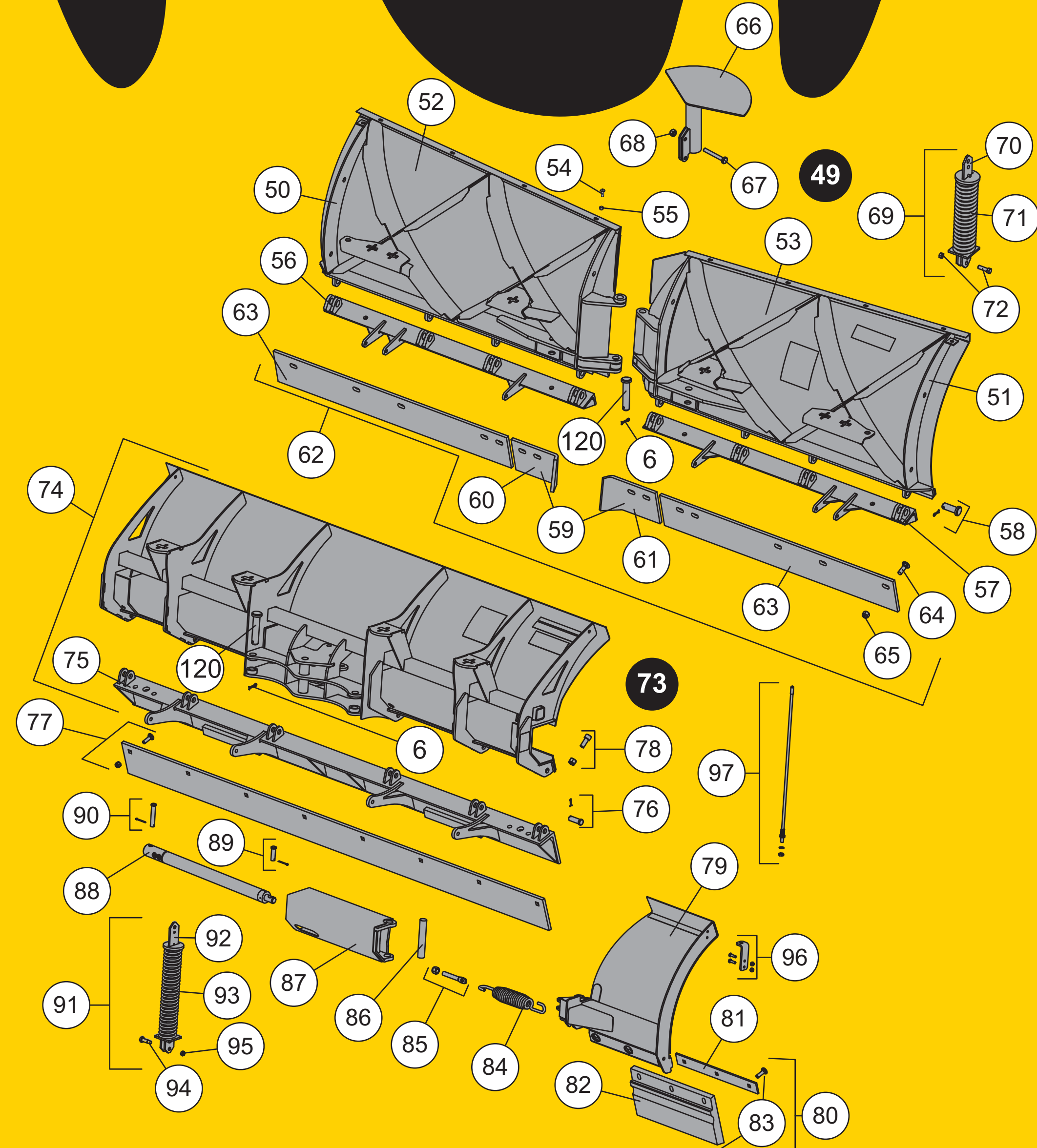
HT = Heat Treated G = Grade



ELECTRICAL COMPONENTS

Item	Part	Description	Item	Part	Description
35	29070-1	Isolation Module - 3-Port (green label)	41	28801-1	Headlamp Service Kit - DS
	29760-1	Isolation Module - 3-Port (blue label)	44	28803-1	Rear Cover Kit
36	72168	Vehicle Cable Assembly, Long	45	28804	Mounting Hardware Kit
37	28587	Vehicle Control Harness	46	28805	Park/Turn Socket Service Kit
38	26357	Vehicle Lighting Harness (11-pin)	47	28806	H13 Headlamp Bulb Service Kit
39	-	Plug-In Harness	48	29998	Fuse Cover (pkg of 5)
40	42015	Plow Battery Cable	ns	73995	Molded Diode
41	28213K	Plow Lighting Harness (11-pin)	ns	69932-1	Soft Start Module
42	28800-1	INTENSIFIRE™ Headlamp Kit (pair)	ns	72527	Vehicle Cable Assembly w/Fuse
43	28802-1	Headlamp Service Kit - PS			

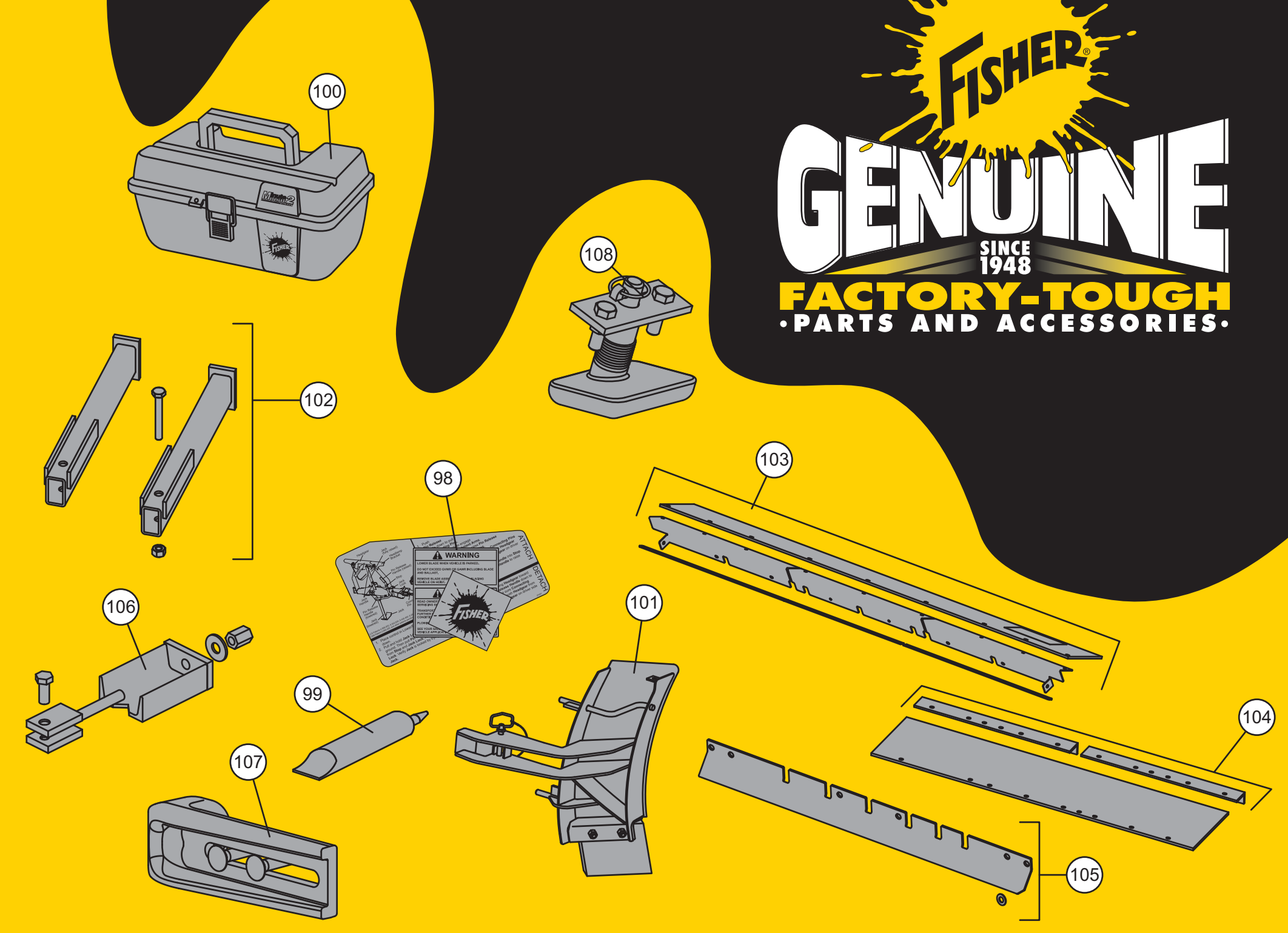
ns = not shown



BLADES

Item	Part	Description	Item	Part	Description
49	44675-1	7 1/2" Mild Steel Blade (XV)	63	44896	7 1/2" 3/8 Cutting Edge (XV)
	44775-1	7 1/2" Stainless Steel Blade (XV)		44897	8 1/2" 3/8 Cutting Edge (XV)
	44685-1	8 1/2" Mild Steel Blade (XV)		44996	7 1/2" 1/2 Cutting Edge (XV)
	44785-1	8 1/2" Stainless Steel Blade (XV)		44997	8 1/2" 1/2 Cutting Edge (XV)
	44695-1	9 1/2" Mild Steel Blade (XV)		44898	9 1/2" 1/2 Cutting Edge (XV)
	44795-1	9 1/2" Stainless Steel Blade (XV)	64	-	5/8-11 x 2 Carriage Bolt G5
50	44745	7 1/2" Frame, Base Angle & Springs - DS (XV)	65	-	5/8-11 Hex Locknut GB
	44746	8 1/2" Frame, Base Angle & Springs - DS (XV)	66	44570	7 1/2" & 8 1/2" Snow Control (XV)
	44747	9 1/2" Frame, Base Angle & Springs - DS (XV)	ns	44571	9 1/2" Snow Control (XV)
51	44748	7 1/2" Frame, Base Angle & Springs - PS (XV)	67	-	3/8-16 x 1-1/4 Hex Cap Screw G5
	44749	8 1/2" Frame, Base Angle & Springs - PS (XV)	68	-	3/8-16 Hex Locknut GB
	44750	9 1/2" Frame, Base Angle & Springs - PS (XV)	69	21452	Removable Spring Assembly (XV)
52	44820	7 1/2" Moldboard Kit Mild Steel - DS (XV)	70	21450	Removable Spring Bar (XV)
	44822	7 1/2" Moldboard Kit Stainless Steel - DS (XV)	71	5323	Trip Spring (XV)
	44824	8 1/2" Moldboard Kit Mild Steel - DS (XV)	72	40905	Shoulder Bolt w/Locknut (XV)
	44826	8 1/2" Moldboard Kit Stainless Steel - DS (XV)	73	50810	XLS™ Blade Assembly
	44828	9 1/2" Moldboard Kit Mild Steel - DS (XV)	74	50666	XLS Blade
	44830	9 1/2" Moldboard Kit Stainless Steel - DS (XV)	75	50662	Base Angle (XLS)
53	44821	7 1/2" Moldboard Kit Mild Steel - PS (XV)	76	5523K	3/4 x 2-3/16 Machine Pin w/Cotter Pin
	44823	7 1/2" Moldboard Kit Stainless Steel - PS (XV)	77	50678	Cutting Edge Kit (XLS)
	44825	8 1/2" Moldboard Kit Mild Steel - PS (XV)	78	50661	Stop Bolt Kit (XLS)
	44827	8 1/2" Moldboard Kit Stainless Steel - PS (XV)	79	50648	Blade Wing - PS (XLS)
	44829	9 1/2" Moldboard Kit Mild Steel - PS (XV)	ns	50647	Blade Wing - DS (XLS)
	44831	9 1/2" Moldboard Kit Stainless Steel - PS (XV)	80	50626	Urethane Edge Assembly Kit (XLS)
54	-	3/8-16 x 1 Button Cap Screw for Mild Steel	81	50643	Retainer Bar (XLS)
	-	3/8-16 x 1 Button Cap Screw for Stainless Steel	82	50645	Urethane Edge (XLS)
55	-	3/8-16 Hex Locknut GB for Mild Steel	83	50642	Bolt Kit, Urethane Edge (XLS)
	-	3/8-16 Hex Locknut GB for Stainless Steel	84	50654	Wing Spring (XLS)
56	40340	7 1/2" Base Angle - DS (XV)	85	50655	Stop Bolt Kit (XLS)
	40342	8 1/2" Base Angle - DS (XV)	86	50660	Wing Pin (XLS)
	44110-1	9 1/2" Base Angle - DS (XV)	87	50657	Blade Slide Box - PS (XLS)
57	40341	7 1/2" Base Angle - PS (XV)	ns	50656	Blade Slide Box - DS (XLS)
	40343	8 1/2" Base Angle - PS (XV)	88	B60347	Hydraulic Cylinder, Slide Box (XLS)
	44111-1	9 1/2" Base Angle - PS (XV)	89	50651	5/8 x 2 Pin Kit
58	27241	1 x 2-3/4 Clevis Pin w/Cotter Pin	90	50653	5/8 x 3 Pin Kit
59	44894	Center Cutting Edge Kit w/Fasteners (XV)	91	50665	Spring Assembly Kit (XLS)
60	44891	Center Cutting Edge - DS (XV)	92	50664	Spring Bar (XLS)
61	44890	Center Cutting Edge - PS (XV)	93	50663	Trip Spring (XLS)
62	44740-1	7 1/2" 3/8 Cutting Edge Kit w/Fasteners (XV)	94	-	1/2 x 1-5/8 Hex Shoulder Bolt G5
	44741-1	8 1/2" 3/8 Cutting Edge Kit w/Fasteners (XV)	95	-	7/16-14 Hex Locknut GB
	44742-1	7 1/2" 1/2 Cutting Edge Kit w/Fasteners (XV)	96	50646	Blade Guide Bracket Kit (XLS)
	44743-1	8 1/2" 1/2 Cutting Edge Kit w/Fasteners (XV)	97	27195	Flexible Blade Guide Kit - 26" (XV, XLS)
	44744-1	9 1/2" 1/2 Cutting Edge Kit w/Fasteners (XV)			

1 1/2" cutting edge standard on 9 1/2" Xtreme™ blade only. G = Grade

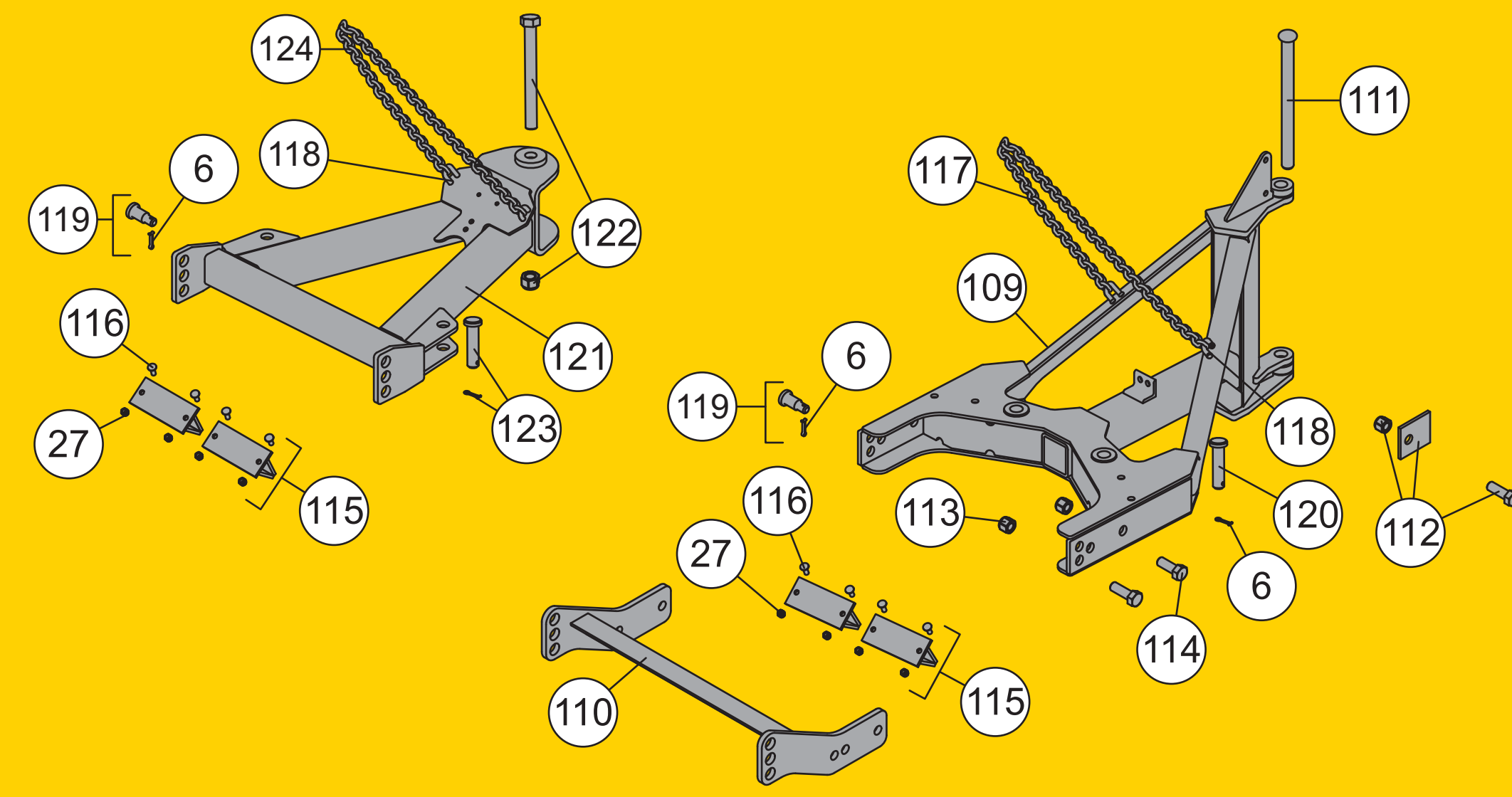


ACCESSORIES

Item	Part	Description	Item	Part	Description
98	28549	Universal Label Replacement Kit	107	44406 ³	Curb Guard Kit (XV)
99	22400K	2 oz Dielectric Grease Tube	108	50700 ³	Shoe Kit (XV, XLS)
100	27930	Minute Mount® 2 Emergency Parts Kit	ns	26812-1	Plow Parka
101	44610-1	Blade Wing Extension Kit (8 1/2" & 9 1/2" XV)	ns	20498	12 oz Black Spray Paint (powder-coat)
102	44473	Blade Stop Kit (XV)	ns	27242	12 oz Yellow Spray Paint (powder-coat)
103	50628	Rubber Deflector Kit (XLS™)	ns	27700	12 oz Silver Spray Paint (powder-coat)
104	44710	Rubber Deflector Kit (XV)	ns	5492Y	1 quart Yellow Paint Can
105	44281-2 ²	7 1/2" Back Drag Edge Kit (XV)	ns	5490Y	1 gallon Yellow Paint Can
	44282-2 ²	8 1/2" Back Drag Edge Kit (XV)	ns	28531	1 quart EZ Flow Hydraulic Fluid
	44283-2 ²	9 1/2" Back Drag Edge Kit (XV)	ns	28532	1 gallon EZ Flow Hydraulic Fluid
106	20043-1	Spring Replacement Tool	ns	62849	Ballast Retainer Kit

² Back drag edge kits may not be installed with shoe or curb guard kits. ³ Shoe kits or curb guard kits may not be installed with back drag edge kits.

ns = not shown



A-FRAME/T-FRAME

Item	Part	Description	Item	Part	Description
109	44555-2	T-Frame (XV)	117	27912	Chain Bag (XV)
110	44556-2	Push Assembly (XV)	118	A6148K	U-Bolt w/Hardware
111	44028	V-Plow Pivot Pin (XV)	119	27177K	Step Pin Kit
112	29735	Locking Kit - T-Frame (XV)	120	22260	1 x 4-3/4 Clevis Pin
113	-	3/4-10 Hex Locknut GB	121	50669	A-Frame Kit (XLS)
114	-	3/4-10 x 2 Hex Cap Screw G5	122	50668	Pivot Bolt Kit (XLS)
ns	50632	Stacking Stop Kit - Short (XV, XLS™)	123	7903K	Anchor Pin w/Cotter Pin (XLS)
115	44554	Stacking Stop Kit - Long (XV)	124	26999	Chain Bag (XLS)
116	90201	3/8-16 x 1 Carriage Bolt G5			

ns = not shown G = Grade